

# auto electrical parts

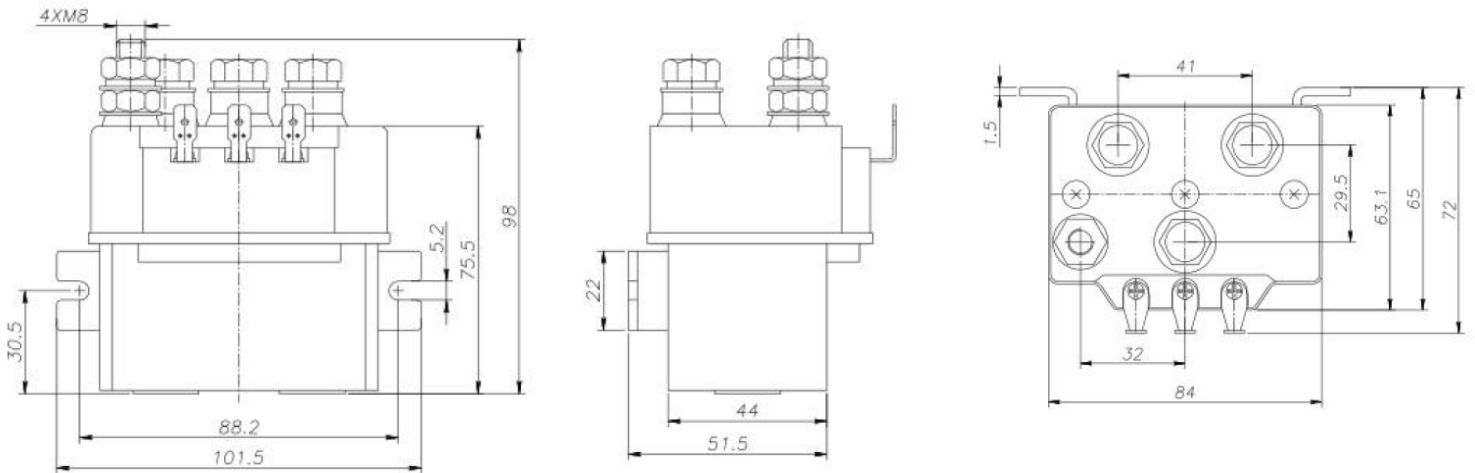
## Technical Information Sheet

### Part No. 0-335-58

Durite Solenoid, reversing, 12volt 100amp  
c/w moulded in 6.3mm spade terminal.



### Technical Drawing (not to scale)



### Specification

Voltage	12VDC
Current	100A
Voltage Drop	<80mV
Coil Power	<21W
Pickup Voltage	<70%Ue
Release Voltage	5<40%Ue
Pickup Time	<30mS
Release Time	<50mS
Max Current	700A (1 Second)
Insulation Resistance	>100mOhm
Dielectric Withstanding Voltage	1500V, 1MIN
Electrical / Mechanical Life	10,000Times
Terminal Temperature Rise	<65K
Coil Temperature	<85K
Wire Insulation (B Class)	130 Degrees Celcius
Duty	Intermittent
Contact Material	AgCuO(10)/CU
Contact M10 Pigtail Moment	8.5NM
Ambient Temperature	-25 ~ +55 Degrees Celcius
IP Rating	IP67
Vibration	2.5G
Weight	50g
Dimesnions	Please see above diagram

The information contained in this document is correct to the best of our knowledge at the time of printing. However, specifications may change at any time without notice.